

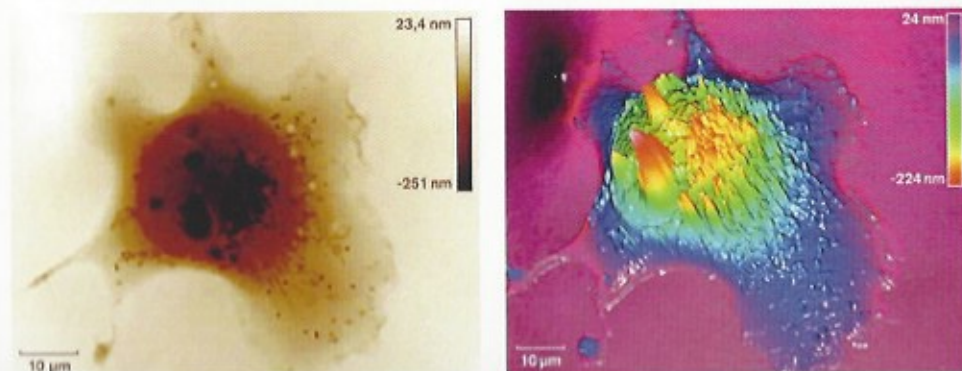
The SID4Bio by Phasics is an innovative camera for **quantitative phase microscopy**.

It offers high contrast without labeling and gives valuable quantitative data at single cell level: morphology, dry mass...

Thus the SID4Bio delivers high-content imaging for many assays: cancer and stem cell monitoring, drug screening, blood test, tissue biopsy, time-lapse microscopy...

“QUANTITATIVE PHASE IMAGER AS SIMPLE AS A CCD CAMERA”

EXAMPLE



Living COS-7 cell observed with a conventional inverted microscope (x150 NA=1.3) and white light illumination. Left: Quantitative phase - Right: 3D visualization

Luisa D'Esposito & Phasics, LLC/Trade Policy/Phasics/Phasics/Phasics - This document is not contractual

QUANTITATIVE PHASE IMAGING

→ BENEFITS

- Single cell dry mass & morphometry (area, perimeter...) for quantitative study over large population.

- Label-free for non-invasive time-lapse and fast sample preparation.

→ KEY FEATURES

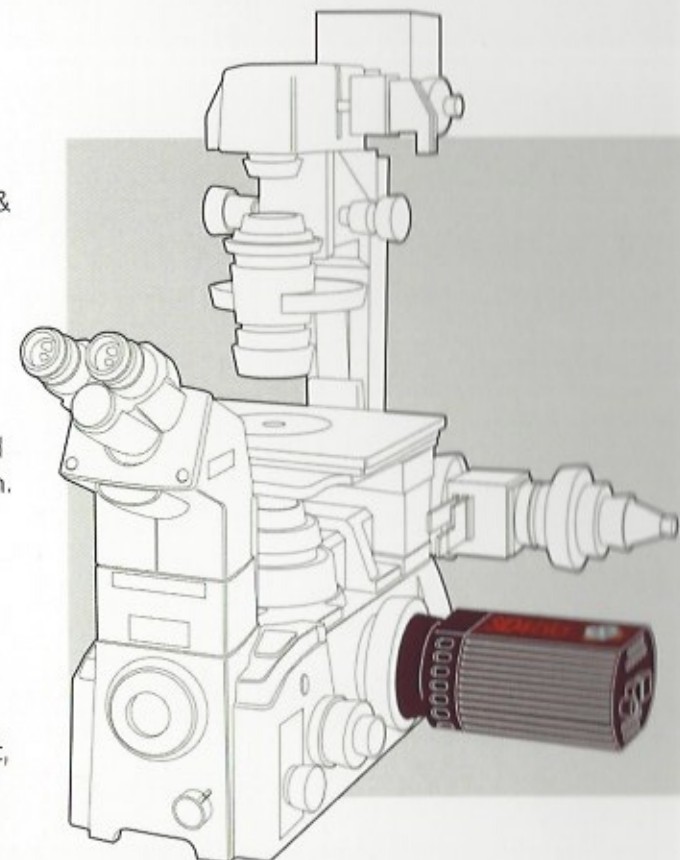
- Plug & Play camera: any microscope, any objective, any illumination (white-light, laser, LED...), any cell dish (glass, plastic...).

- Artifact-free images for robust and automated analysis: segmentation, tracking.

- Single shot: no blur.

- Easy merging with other modalities such as fluorescence.

- Dedicated software with image analysis tools.



→ SPECIFICATIONS

Wavelength	400-1100 nm (halogen, laser...)
Magnification	10x to 200x
Chip size (w/o magnification)	11.84 x 8.88 mm ²
Image size	300x400 phase pixels
Resolution (Lateral)	Up to diffraction limit (objective dependent)
Resolution (Phase)	< 1 nm RMS
Dry mass resolution	< 0.5 µg
Acquisition frequency	Up to 10 fps
Dimension	84 x 49 x 79 mm
Interface	C-mount